

HOW TO BUILD A...

WOODEN ARBOR

TOOLS:

- (4) post hole diggers
- (4) digging bars
- (4) shovels
- (1) Circular saw
- (1) jig saw and extra blades
- pencils
- (1) tape measure
- water access
- (1) wheel barrow
- (1) concrete trowel
- (1) electric drill/screwdriver
- (1) 3/8" drill bit
- (4) vice grips
- (2) ladders



MATERIALS:

- (4) 10" long 1/2" diameter Hot-dipped, galvanized Carriage Bolts @ \$3.84 = \$15.36
- (6) 8' Pressure-treated 2"x4" posts @ \$2.97 = \$17.82
- (3) 16' Pressure-treated 2"x6" posts @ \$8.97 = \$26.91
- (4) 12' Pressure Treated 6"x6" posts @ \$24.97 = \$98.80
- (1) box 4" Wood Screws @ \$7.89
- (28) 60lb. Bags of Quikcrete @ \$2.87 = \$80.36
- (4) 12"x48" Sanotube Concrete Forms @ \$10.88 = \$43.52
- (2) 12' 1"x4" posts @ \$3.97 = \$7.94

TOTAL COSTS:

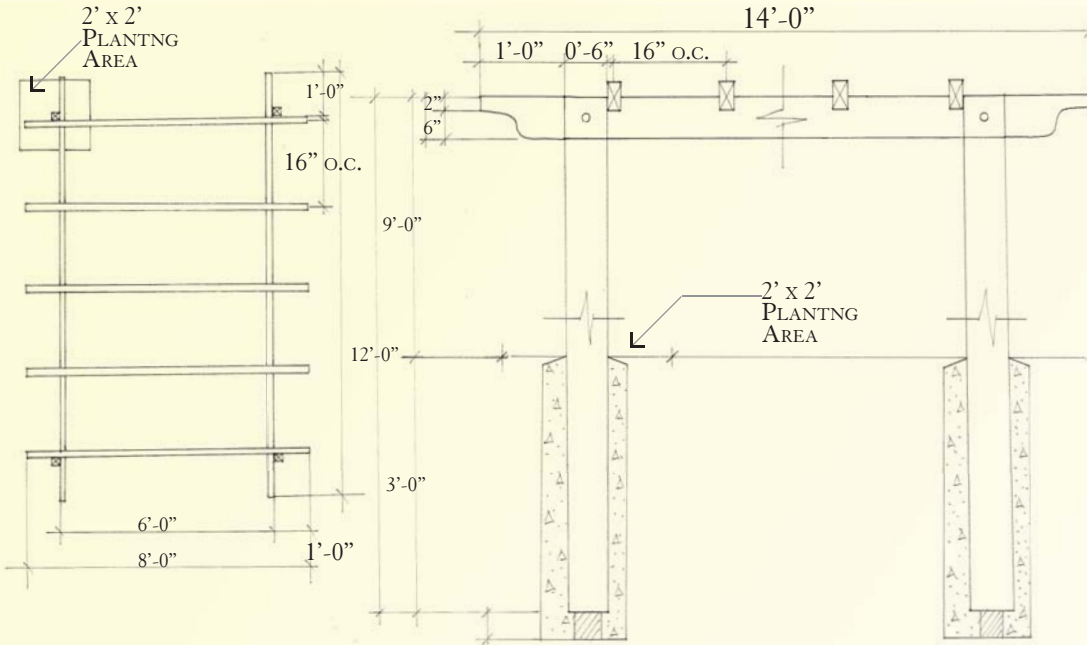
- tool rental @ \$100.00
- materials @ \$298.60
- total costs @ \$398.60

POTENTIAL RESOURCES:

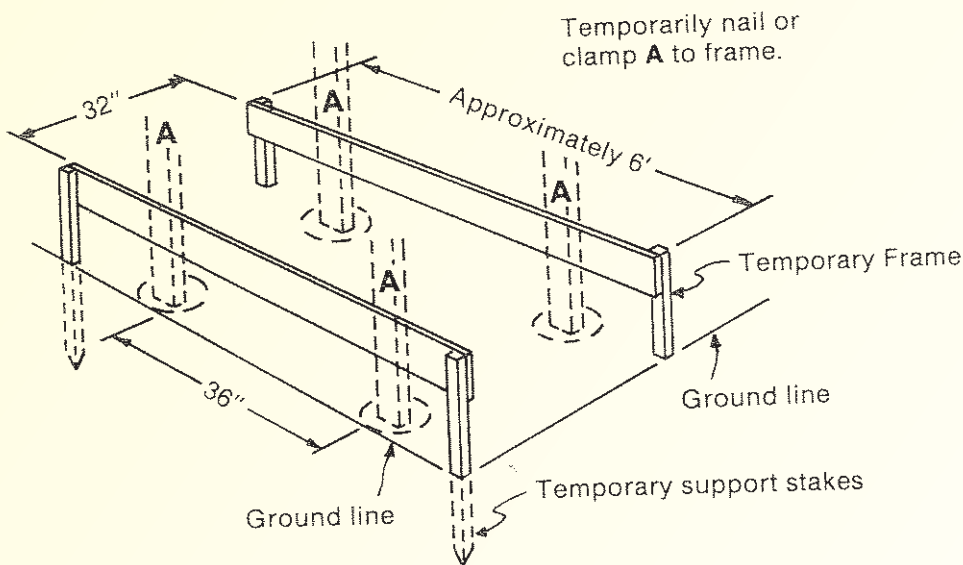
- Earth Products
515 Cobb Pkwy
North Marietta, GA 30062
(770) 424-1479
- The Home Depot
650 Ponce de Leon Ave. NE
Atlanta, GA 30308
(404) 892-8042

GENERAL INFORMATION

CONSTRUCTION DRAWINGS



1 PLAN & SECTION OF WOODEN ARBOR
L1.9 NTS



2 SUPPORTING FRAME FOR WOODEN ARBOR
L1.9 NTS

- Use post hole diggers, shovels and digging bars to excavate (4) 2' deep holes as indicated in plan
- Use the 1/8" drill bit to drill pilot holes for carriage bolts 3" from one end of each 6"x6" post.
- Set posts in hole with brick on bottom
- Insert 4 posts and pour concrete into post holes.
- Anchor posts perpendicular to ground as shown in detail
- Allow post holes to cure for time indicated on concrete bag.
- In the meantime cut lumber to specified lengths.
- Cut (5) 2"x4" to length of 7' each and set aside.
- Cut (2) 2"x6" to a length of 14'.
- Using the jig saw, scroll ends of (2) 2"x6" as indicated on plan. Scroll should not exceed a length of 8".
- Measure 5 equal 2" slots @ 16" on center along all three 2"x6" and cut to depth of 2" with circular saw and jig saw.
- Use the 1/2" drill bit to drill pilot holes for carriage bolts 17" back from each end of 2 of the 2"x6".
- Anchor the 2"x6" with pilot holes from now stable 6"x6" posts using the 10" carriage bolts.
- Insert one of set aside 2"x4" into each set of notches in 2"x6" in a perpendicular fashion and screw in place diagonally through top of the 2"x6".
- Screw through 2"x6" and into the middle 2"x6".
- Remove stakes and ties.

LEADING & INSPIRING

ACTION
for

PARKS
& GREENSPACE