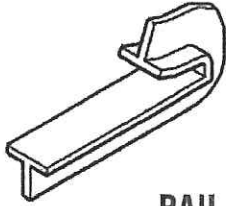
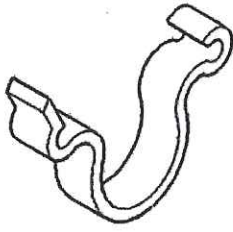
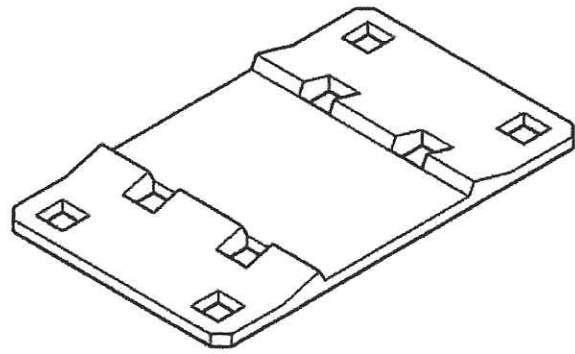


# RAILROAD EXAMPLES



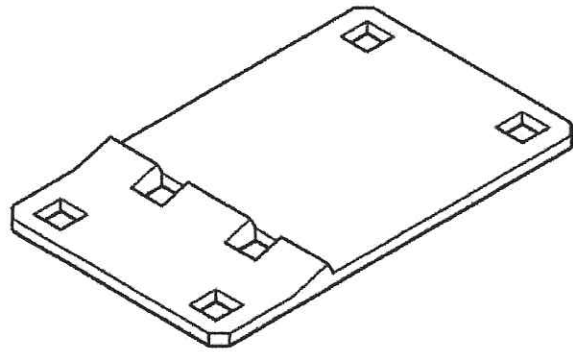
**RAIL ANCHOR**



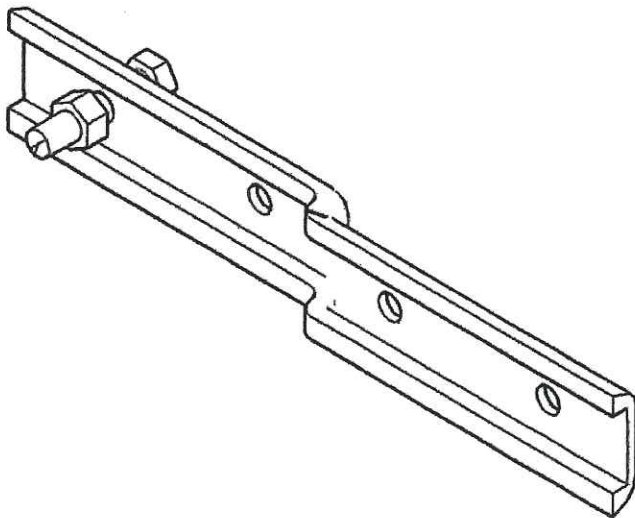
**DOUBLE SHOULDER BASE PLATE**



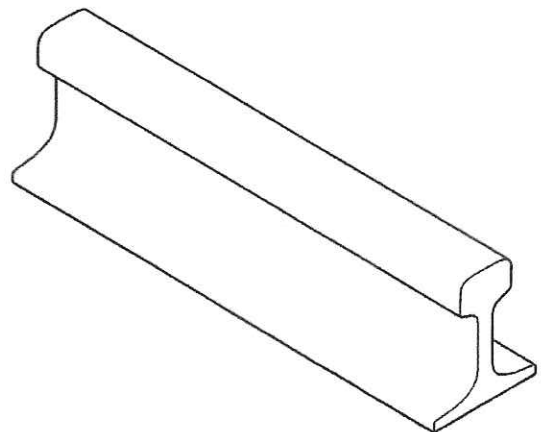
**HOOK HEAD RAIL SPIKE**



**SINGLE SHOULDER BASE PLATE**



**COMPROMISE ANGLE BAR**



**RAIL**

**PLEASE LEAVE ALL ARTIFACTS AT  
DROP OFF LOCATION**